

IR CAMERA

DIC-4060MIR

Features

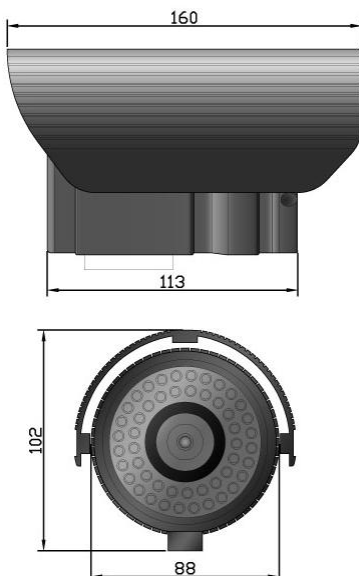
- 410K Pixel, Sony 1/3" Color CCD
- High Resolution up to 600 TV Lines
- Visual Distance maximum up to 40m
- True Day & Night • High Effective IR 54 EA Built-in
- Motorized Zoom Lens(6~50mm), RS-485
- Weather-proof (Outdoor Usage)

**Motorized Zoom(6~50mm)
600TVL, 54IR, 40m**

Picture



Dimensions



unit : mm

Specifications

MODEL	DIC-4060MIR	
Signal system	NTSC	PAL
Image Sensor	1/3" Sony super HAD CCD	
Effective Pixels	768(H)X494(V)	752(H)X582(V)
Resolution	Color 600 TV Lines (B/W 700 TV Lines with ICR)	
Scanning Frequency	15.734KHz(H), 60(V)	15.625KHz(H), 50(V)
Shutter Speed	1/60~1/100,000 sec	1/50~1/100,000 sec
Min. Illumination	Color : 0.1 Lux., (CDS ON : 0.00 Lux.)	
Scanning system	2:1 Interlace	
LED	IR LED 54 PCS, 5 Ø (850nm), 20 degree	
D-Zoom	1x – 10x	
Visibility Range	Max. 40m	
Privacy Zone	8 ea	
S/N Ratio	More than 52dB	
Video Output	Composite video output 75 ohm terminated	
Day & Night	Color / BW / Auto / EXT	
RS-485	D-MAX. Pelco D	
Lens	6~50 mm Motorized DC Auto iris lens with TDN	
Sync. System	Internal	
Operating Humidity	30 % ~ 90 % RH	
Operating Temp.	- 10°C to 50° - 50°C to 50°(Optional)	
Dimension	88mm(W) X 102mm(H) X 160mm(L)	
Weight	About 1.7Kg	
Power Consumption	750mA	
Power Supply	DC 12 V 1.5A, 50/60Hz Dual Voltage(Optional) : AC24V / DC12V	