

IR VANDAL DOME CAMERA

DIC-5830DV

Features

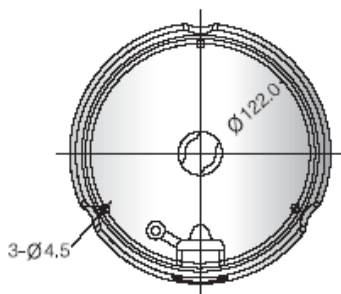
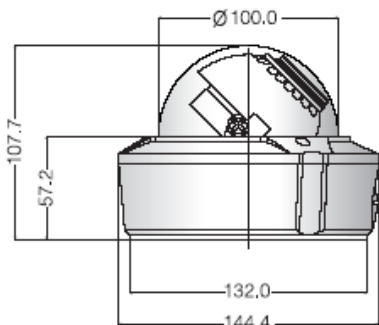
- 410K Pixel, Sony 1/3" Color CCD
- High Resolution (up to 600 HTVL)
- Visual Distance maximum up to 30m
- Low 0.1 Lux. (CDS On B/W Mode: 0.00 Lux.)
- Vari-Focal Zoom Lens 2.8~12mm with ICR (32X Digital Zoom)
- White Defect Restoration, • Weather-proof (IP66), OSD (On Screen Display)

**600 TVL, 30LED, 30m
3D-DNR, IP66**

Picture



Dimensions



unit : mm

Specifications

MODEL	DIC-5830DV	
Signal system	NTSC	PAL
Image Sensor	1/3" Sony super HAD CCD	
Effective Pixels	768(H)X494(V)	752(H)X582(V)
Resolution	More than 600 TV lines	
Scanning Frequency	15.734KHz(H), 60(V)	15.625KHz(H), 50(V)
Shutter Speed	1/60~1/100,000 sec	1/50~1/100,000 sec
Min. Illumination	Color : 0.1 Lux., (CDS ON : 0.00 Lux.)	
Scanning system	2:1 Interlace	
White Balance	ATW / AWB /Indoor/Outdoor / Manual	
High Light Compensation	Digital WDR, HSBLIC	
OSD	Enable	
Privacy / Motion	8 Zones / 4 Areas	
LED	30 IR LEDs (850nm), 40 degree	
Visibility Range	Indoor 30m / Outdoor 25m	
S/N Ratio	More than 52dB	
Video Output	Composite video output 75 ohm terminated	
Lens	2.8~12 mm DC Auto iris lens (32x Digital Zoom)	
Sync. System	Internal	
Operating Humidity	30 % ~ 90 % RH	
Operating Temp.	- 10°C to 50°	
Dimension	145mm(W) X 107mm(H) X 100mm(Bubble)	
Weight	About 1.1Kg	
Power Consumption	Max 5W	
Power Supply	DC 12 V 1A, 50/60Hz Dual (Option)	