

COLOR DOME CAMERA

DCC-46SD

**420TVL , 0.3Lux
3Axis, Mini Dome**

Features

- 1/3" Color Sony CCD
- Digital Signal Processing(DSP) allows better picture quality
- 420TV Lines
- Auto gain control, Electronic iris
- Fixed Lens 3.6mm
- Mini Size Dome Case (68mm)

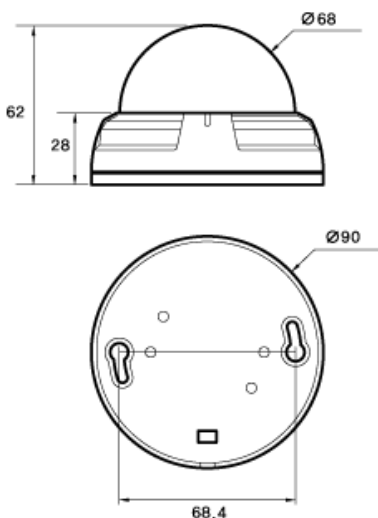
Picture



Specifications

MODEL	DCC-46SD	
Signal system	NTSC	PAL
Image Sensor	1/3" Color Sony CCD	
Effective Pixels	512(H)X492(V) 270K	500(H)X582(V) 250K
Resolution	420 TV lines	
Scanning Frequency	15.734KHz(H), 60(V)	15.625KHz(H), 50(V)
Shutter Speed	1/60~1/100,000 sec	1/50~1/100,000 sec
Min. Illumination	0.3Lux@F1.2, AGC Off	
White Balance	Auto	
AGC	Auto	
Lens	Fixed Lens 3.6mm	
Angle of View	92 degree	
Video Output	Composite video output 75 ohm terminated	
S/N Ratio	More than 48dB (AGC off)	
Sync. System	Internal	
Operating Humidity	30 % ~ 90 % RH	
Operating Temp.	- 10°C to 50°	
Dimension	φ68(Bubble) x 62(H)mm	
Weight	About 250g	
Power Consumption	Max 1.8W	
Power Supply	DC 12 V(10.2V~14.5 V)	

Dimensions



unit : mm